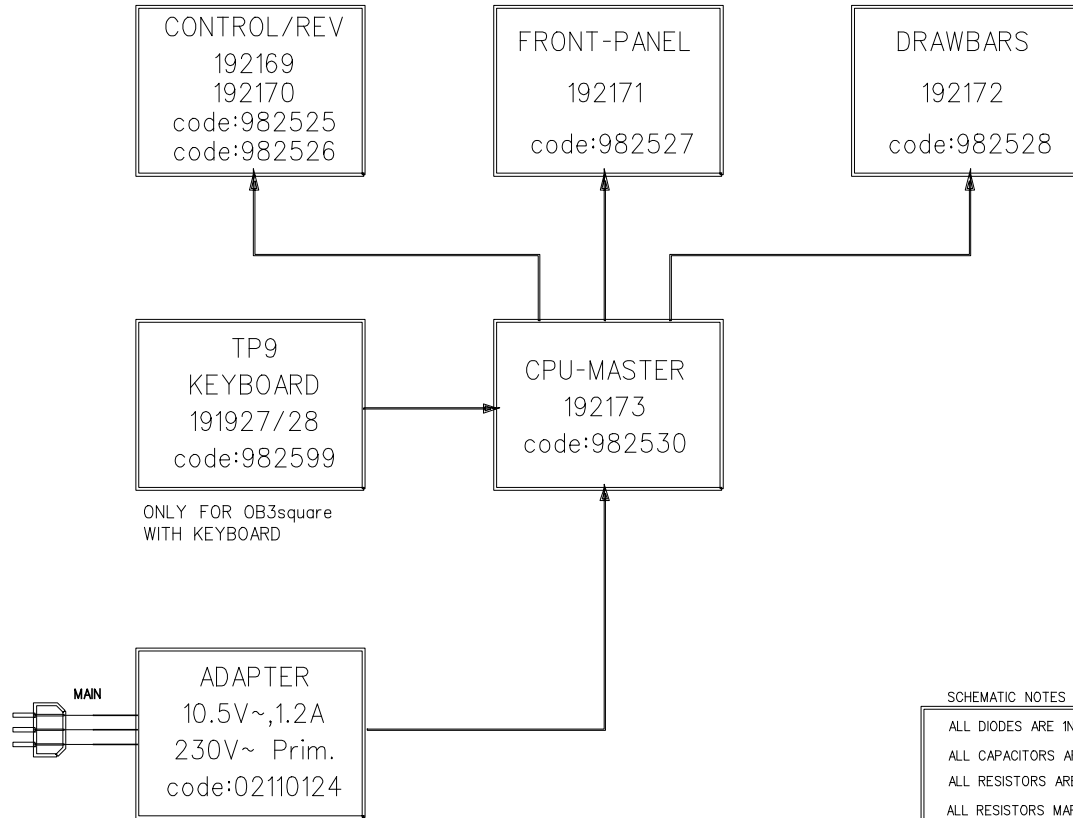




*Manuale di Servizio - Service Manual*  
*Schaltplan - Schéma Technique*

OB3<sup>2</sup>

# BLOCK DIAGRAM

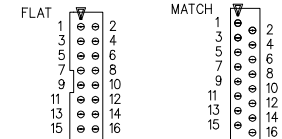


ONLY FOR OB3square  
WITH KEYBOARD

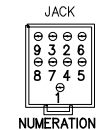
## SCHEMATIC NOTES

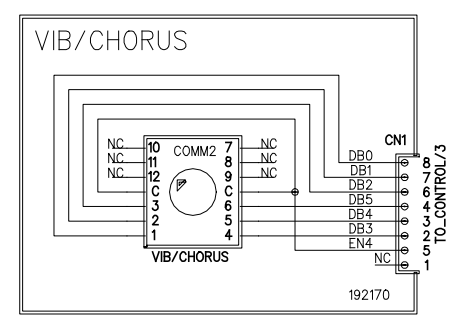
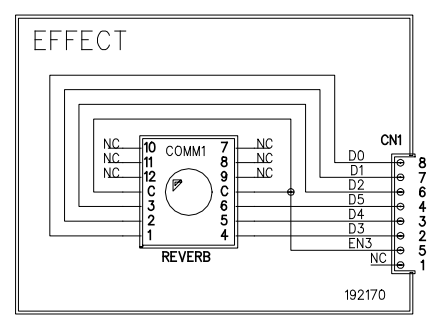
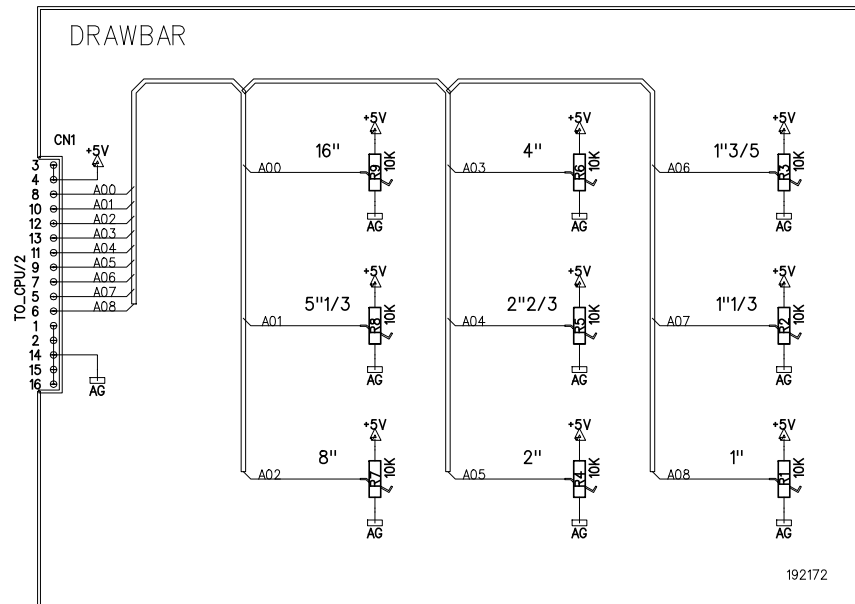
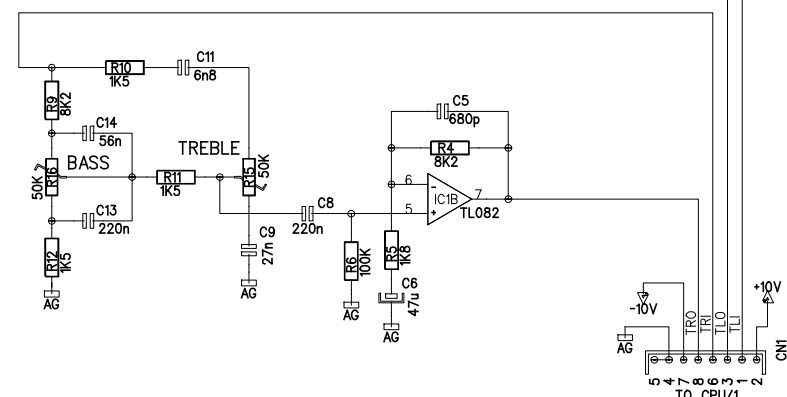
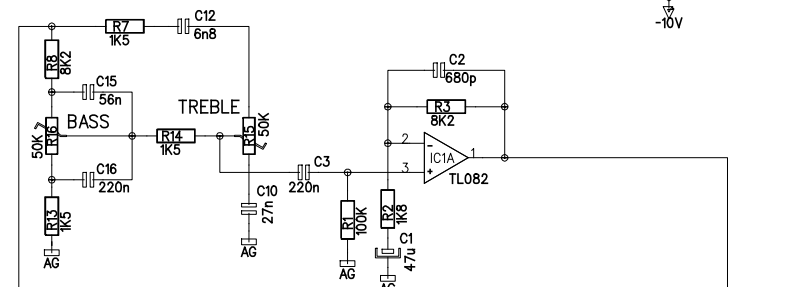
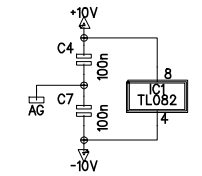
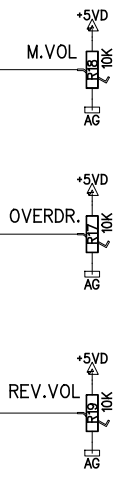
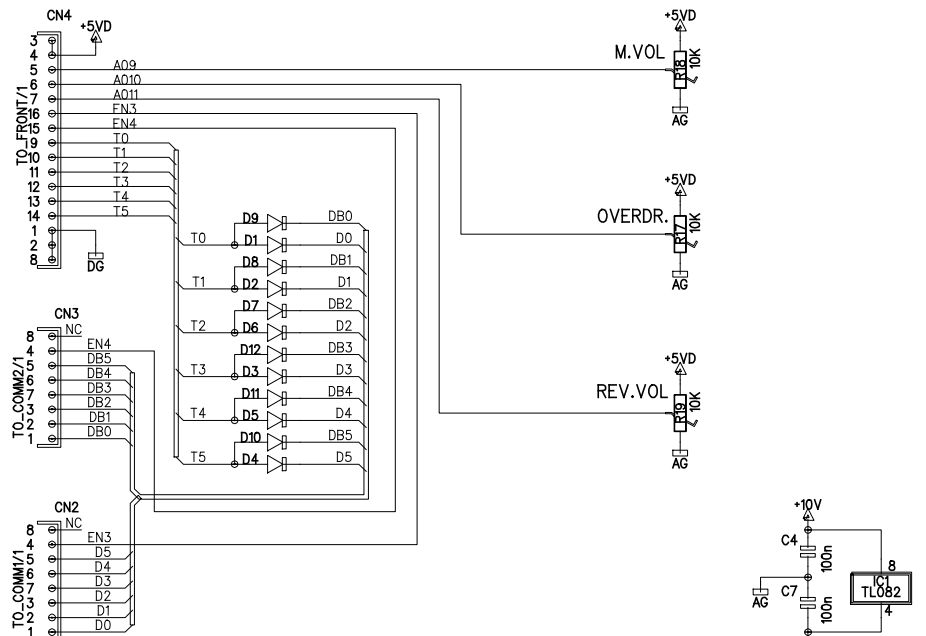
- ALL DIODES ARE 1N4148 OR EQUIVALENT UNLESS OTHERWISE SPECIFIED.
- ALL CAPACITORS ARE 100n & CERAMICS UNLESS OTHERWISE SPECIFIED.
- ALL RESISTORS ARE 1/4W UNLESS OTHERWISE SPECIFIED.
- ALL RESISTORS MARKED WITH MO ARE METALOXIDE.
- ALL D.C. VOLTAGES MEASURED TO GROUND WITH A VOLTMETER 20000 Ohm/V.

## CONNECTORS NUMERATIONS

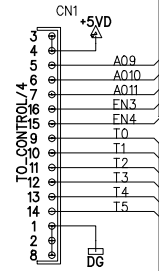
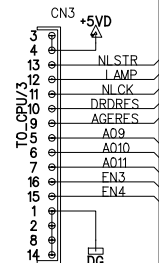
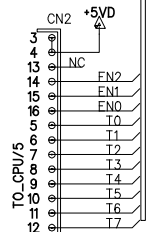


- DG - DIGITAL GND      CG - COMMON GND
- AG - ANALOG GND      PAG - POWER AMP GND
- SG - SIGNAL GND      GND - UNSPECIFIED GND

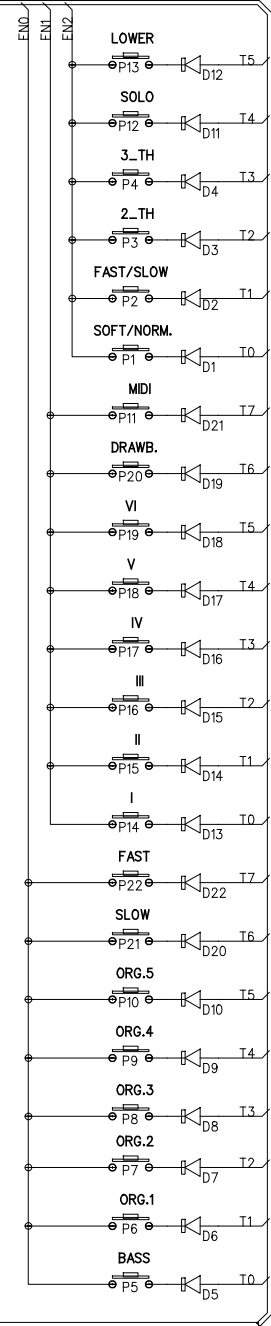
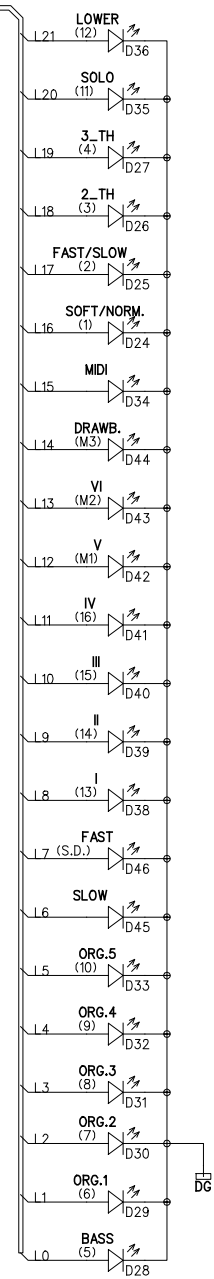
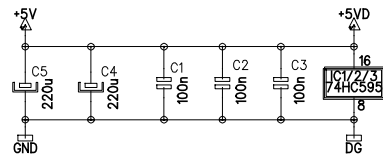
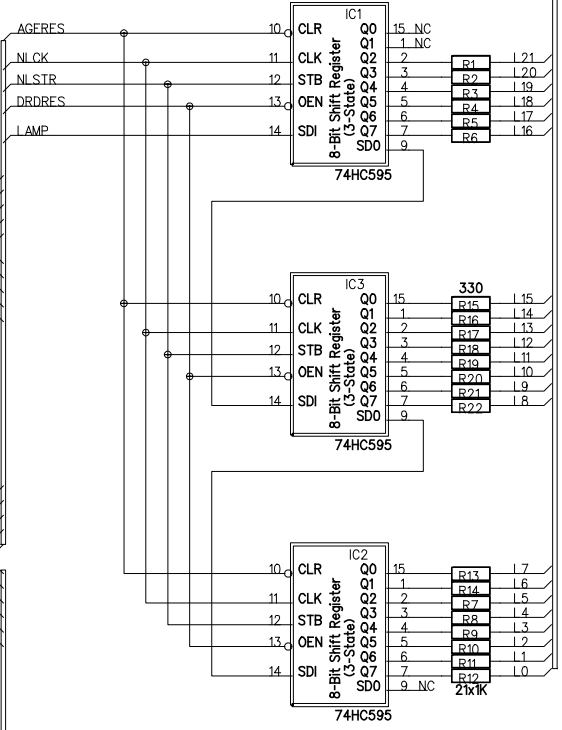


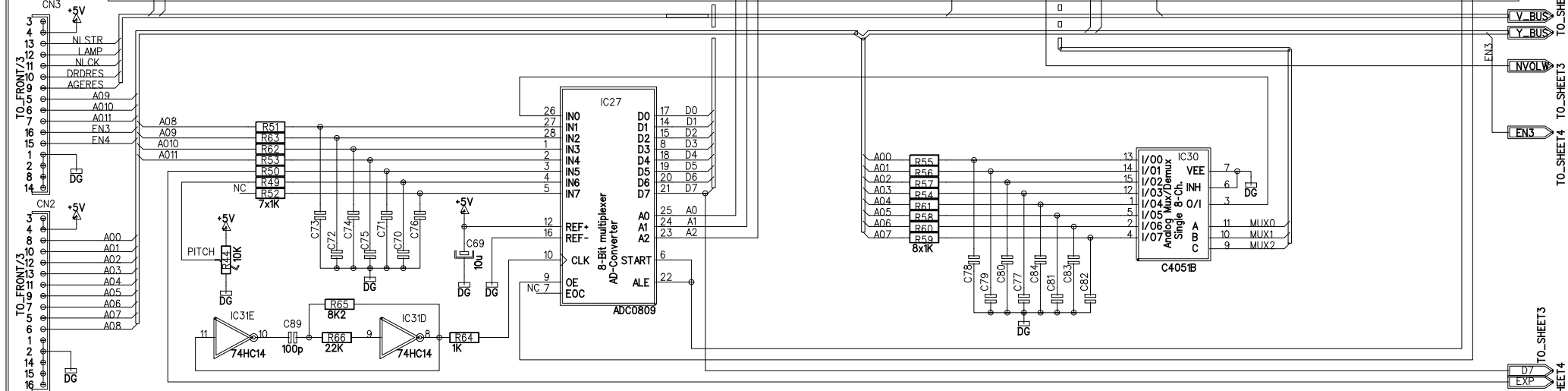
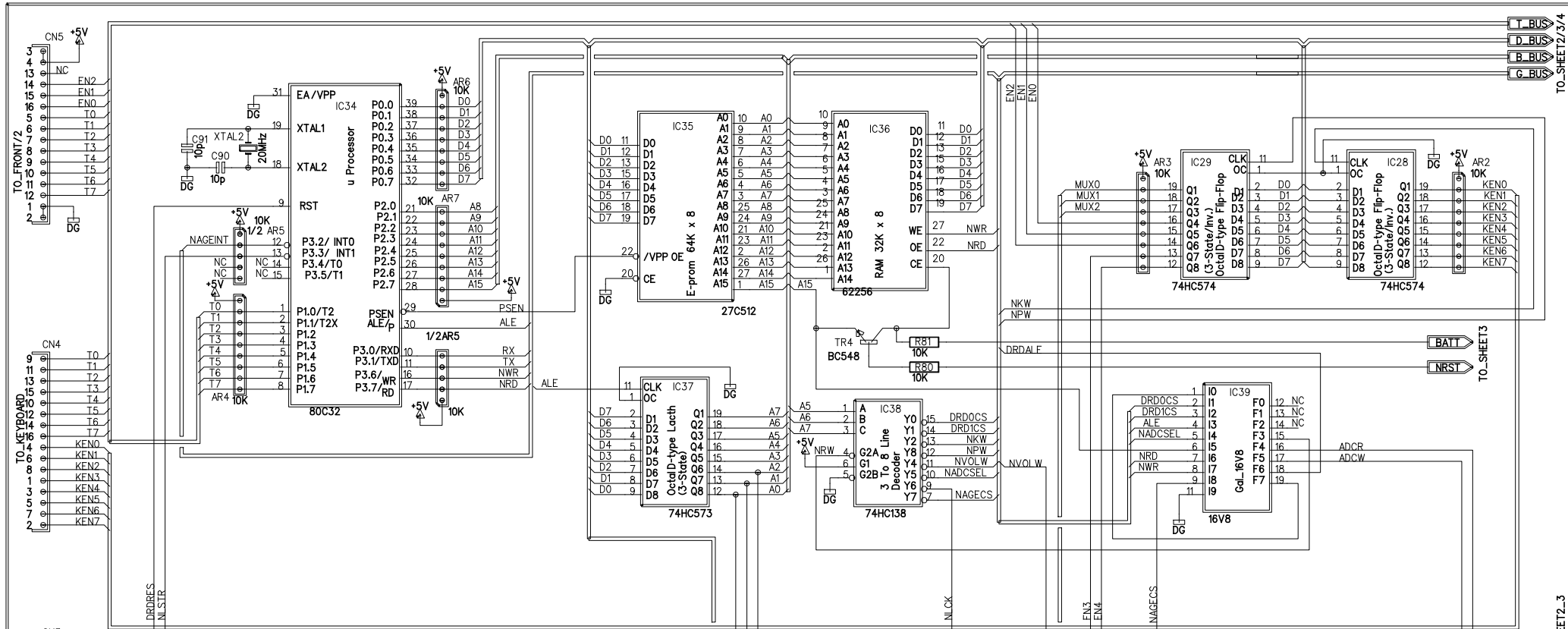


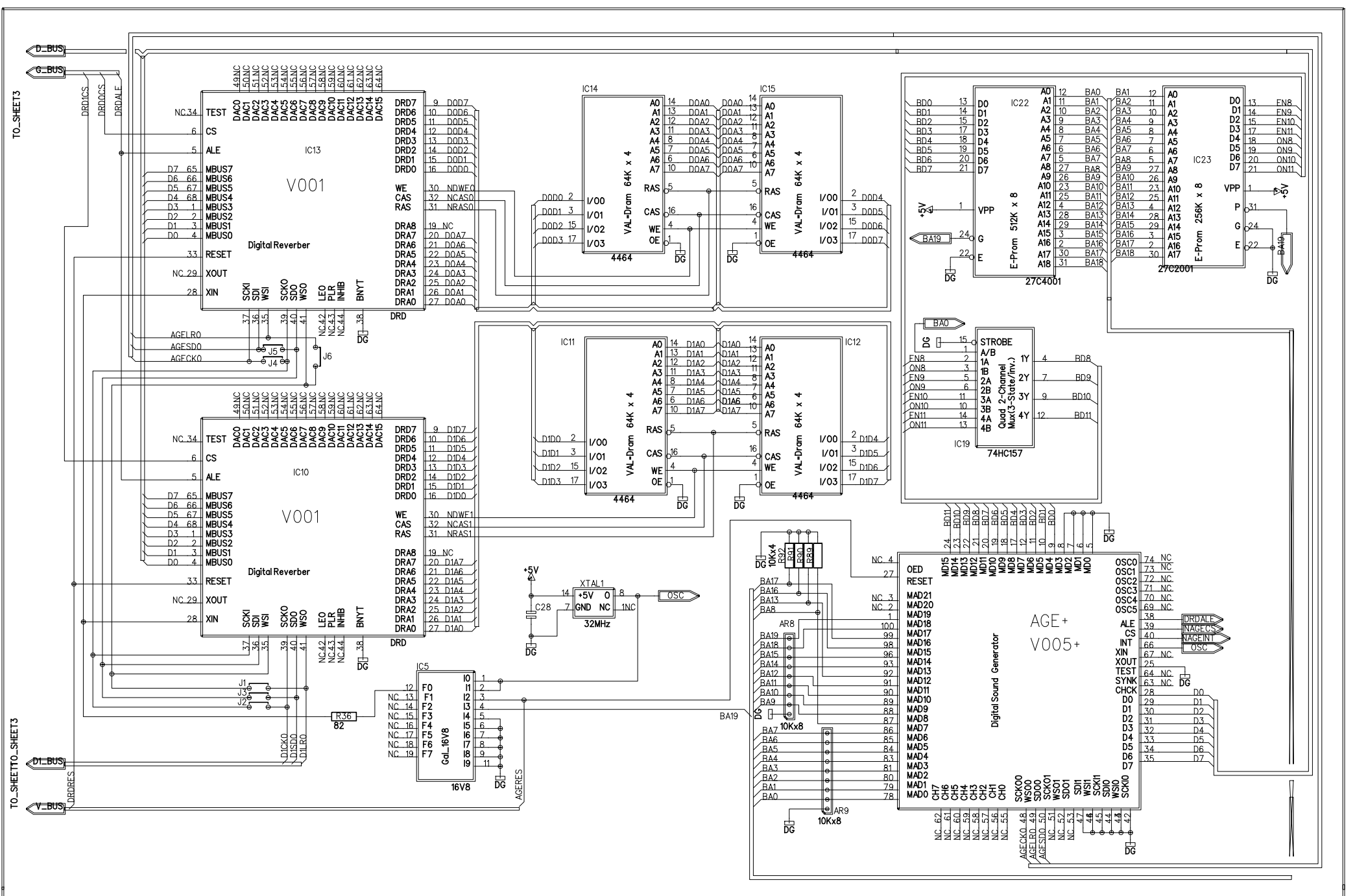
PART CODE:  
 192169 CODE= 982525  
 192172 CODE= 982528

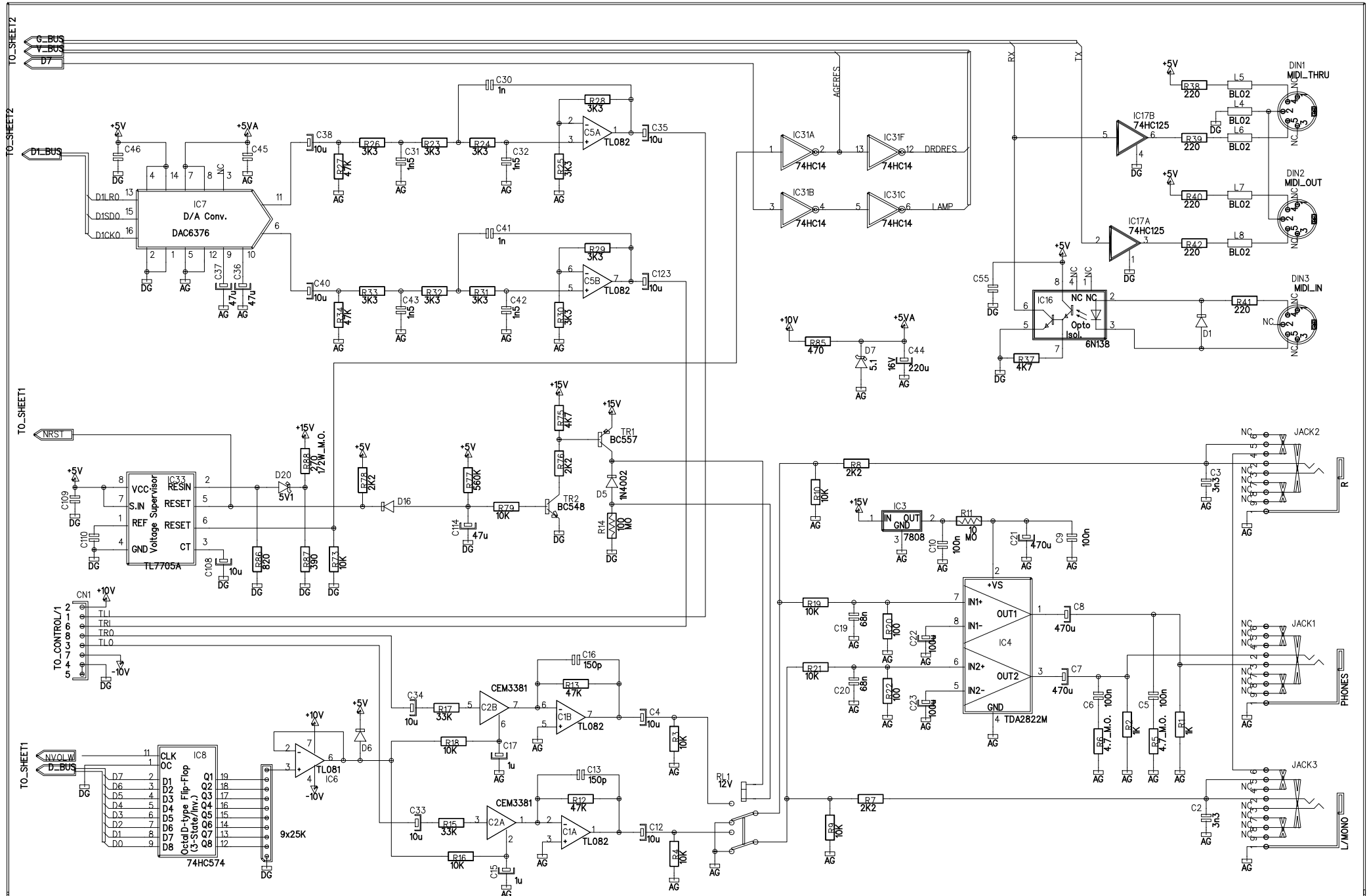


NB:THE NUMBERS BETWEEN PARENTHESIS ARE MIDICHANNELS OR FUNCTIONS.  
ALL DIODES WITHOUT VALUE ARE IN4148.  
ALL LEDS ARE RED,ONLY D34 IS GREEN.

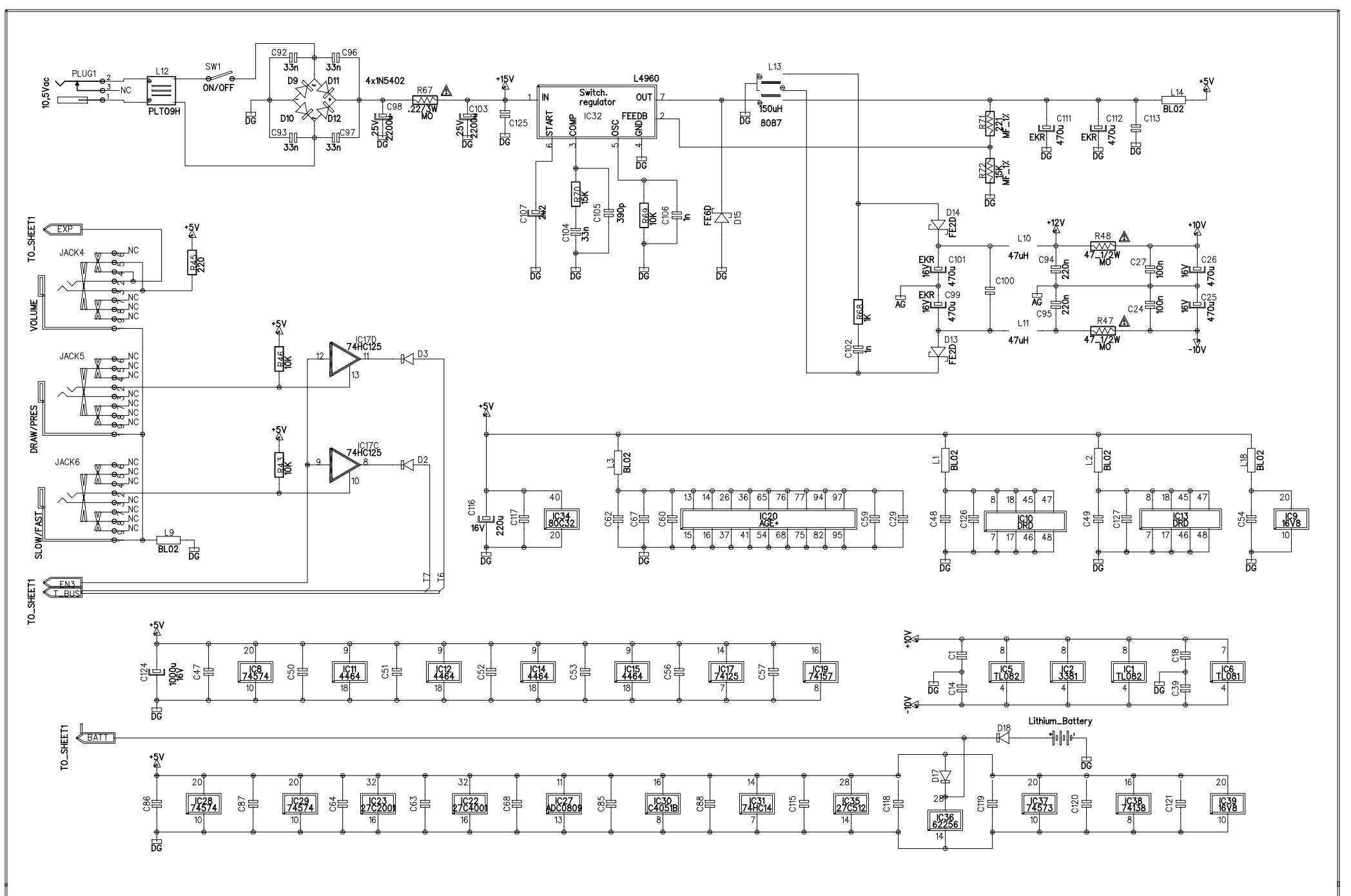








TO\_SHEET1  
TO\_SHEET2  
TO\_SHEET1  
TO\_SHEET1  
TO\_SHEET1



OBJECT: CPU - MIDI - REV  
POWER SUPPLY

DOCUMENT: 192173\_4.SCH

REF.PCB CODE: 192173.PCB

REF.TO MODEL: 0B3 SQUARED

DATE: 20/05/1996

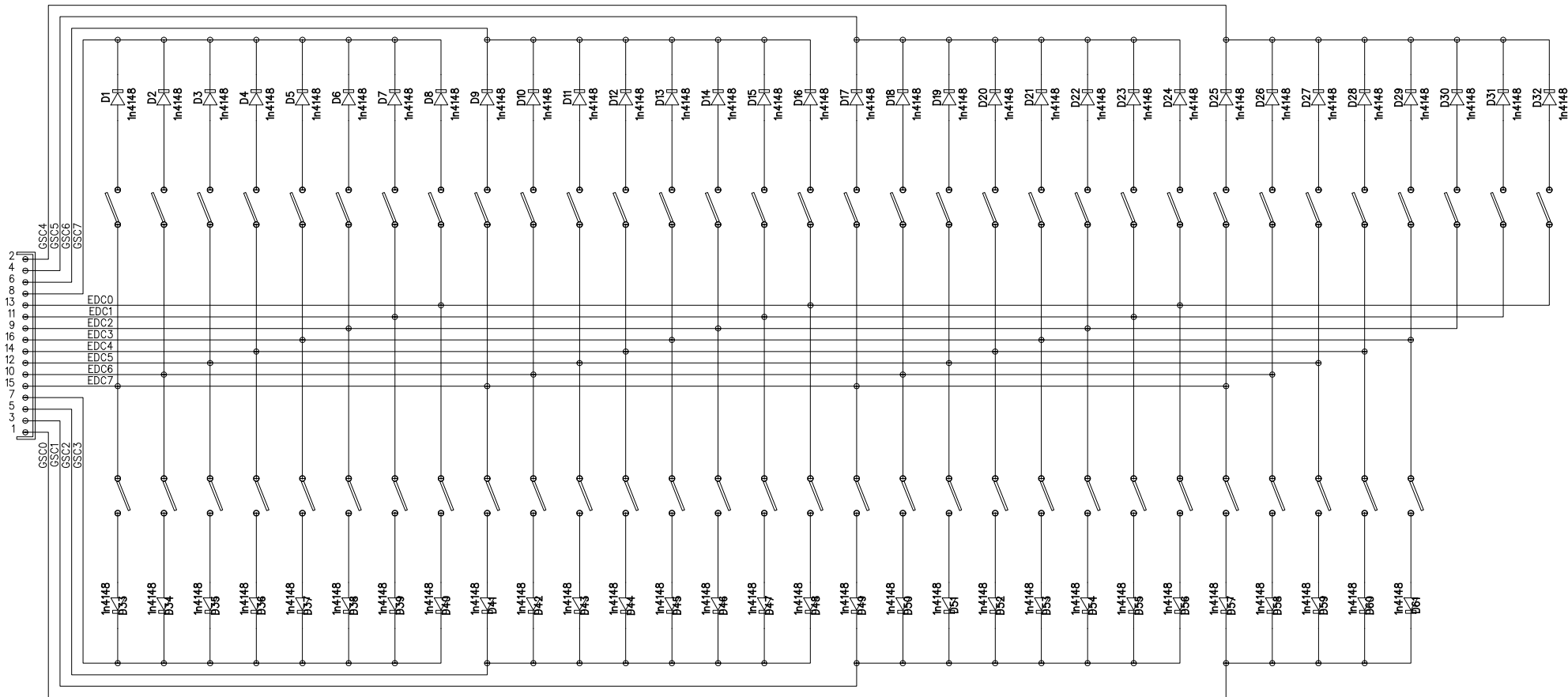
DRAW: G.GABELLINI  
CHECKED: G.LEGNINI  
APPROVED: G.LEGNINI

PART CODE: 982530

Sheet 4 of 4

Page N.07





OBJECT: KEYBOARD TP9

DOCUMENT: TP9.SCH

REF.PCB CODE:

REF.TO MODEL:

DATE: 20/05/1996

DRAW: G.GABELLINI  
 CHECKED: G.LEGNINI  
 APPROVED: G.LEGNINI

PART CODE:

Sheet 1 of 1

Page N.08

