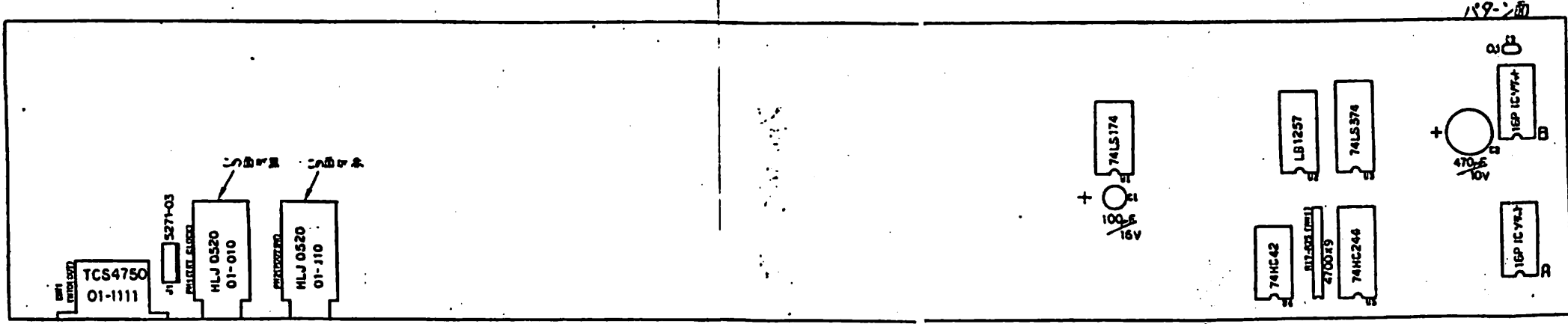
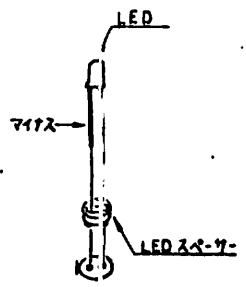
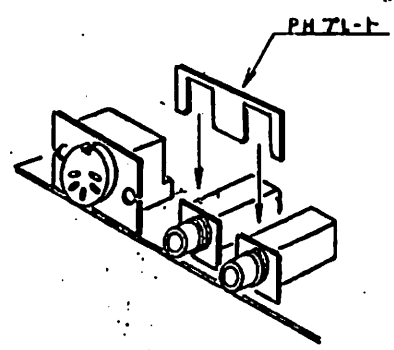


部品面

1. ダイオードは、すべて ISS133 (方向と向きに注意)
2. LEDは、すべて SLR-34VR 3F (足の短い方がマイナス側で付く、印のある側とマイナス側とLT下をい)
3. 指示なきSWは、すべて黒 (シルク)
4. この基板は、両側に部品が付きまますので、注意して下さい。



バツ-ン面



NOT CE  
 THE DATA IN THIS DOCUMENT AND OPERATE PROPRIETARY RIGHTS OF  
 COPPERWELL A DIVISION OF ECC GIVE COMPANY CORP. 11800 W. ALTYN  
 RD. LOS ANGELES, CA 90048. ANY PARTY ACCEPTING THIS DRAWING  
 DOES SO IN CONFIDENCE AND AGREES THAT IT SHALL BE THE PROPERTY  
 OF COPPERWELL & COMPANY INC. AND THAT IT SHALL BE KEPT SECRET AND NOT  
 REPRODUCED OR DISCLOSED TO ANY OTHER PARTY WITHOUT THE WRITTEN  
 PERMISSION OF COPPERWELL & COMPANY INC.

SPEC. NO. etc. MARKS		SCALE	
MATERIAL NW		MODEL NO	QTY
FINISH 仕上		NAME & NO	
CHECKED		DRAWN DESIGN	
ECNO		DRAWING NO 00	
REVISIONS		DATE	
ISSUE		225-25256	





