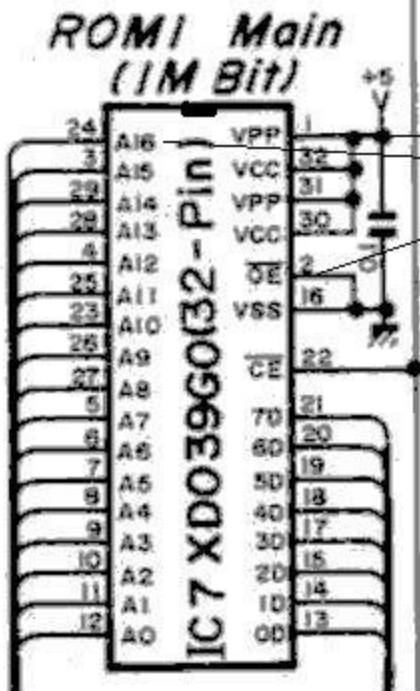


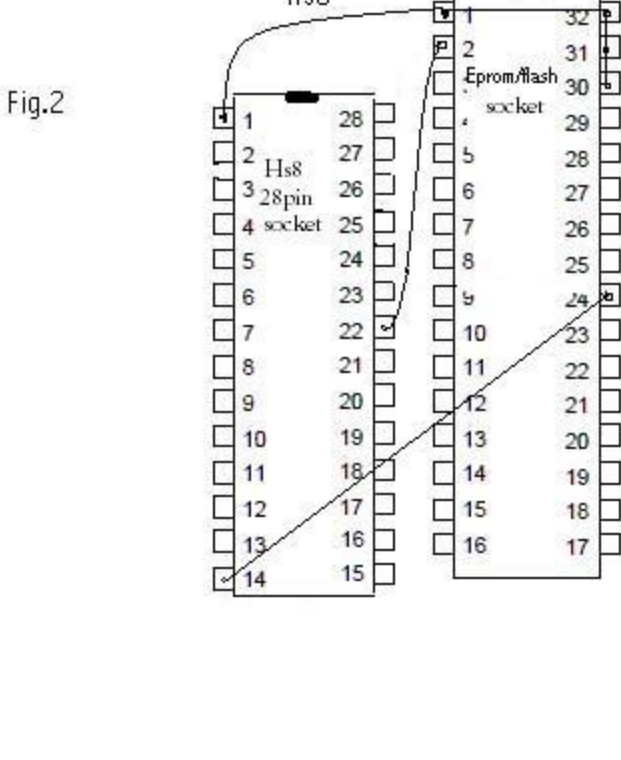
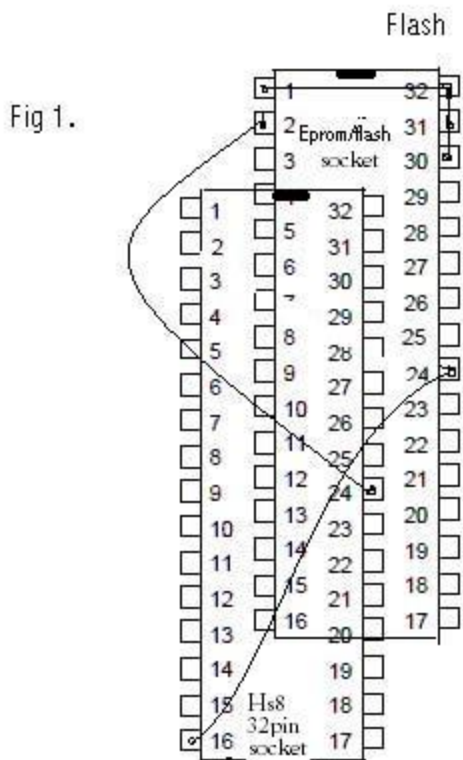
Eprom

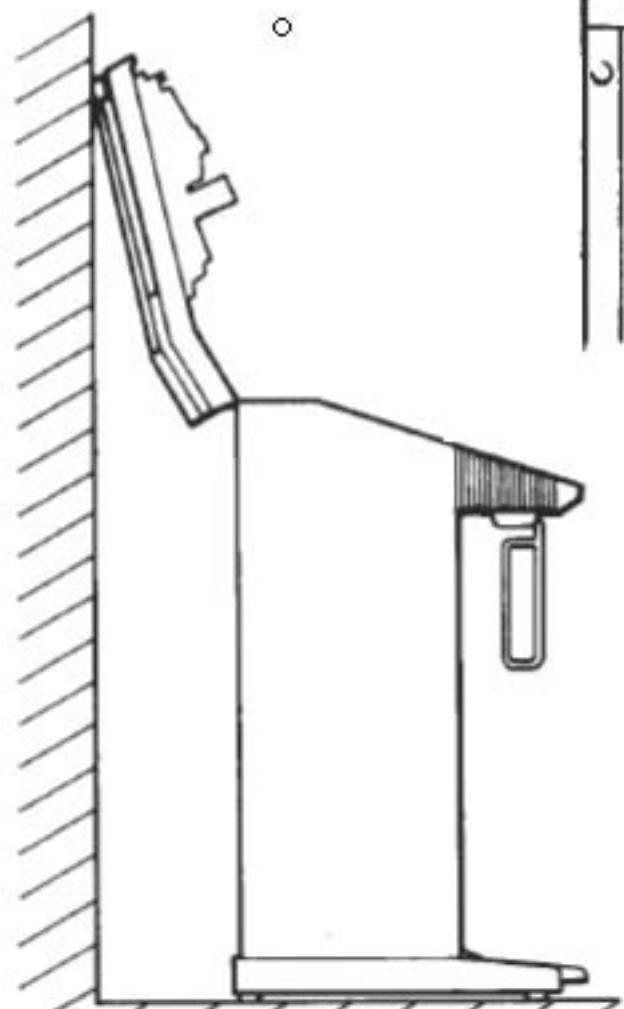


The only 3 problems pin 30 31 32 must be vpp/vcc = +5v and address pin 24 has to be changed to pin 2 and of cause pin 2 to 22(28pinsocket) 24(32pin socket) Eprom and Flash are equal.

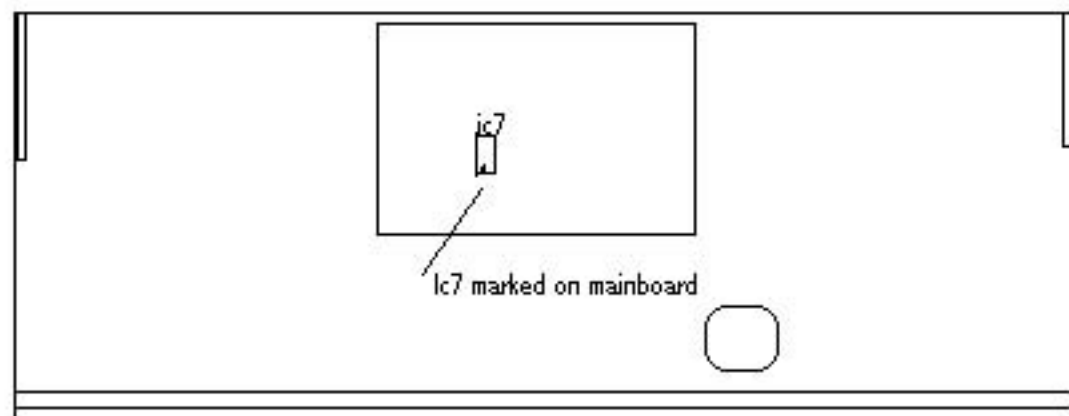
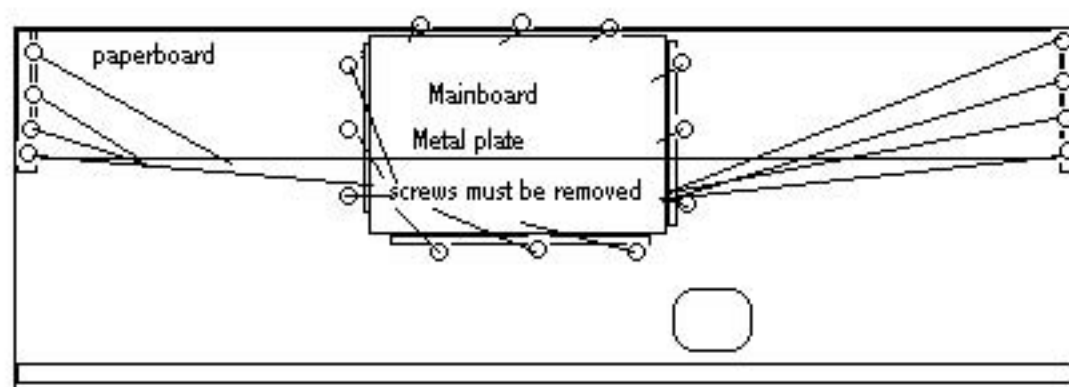
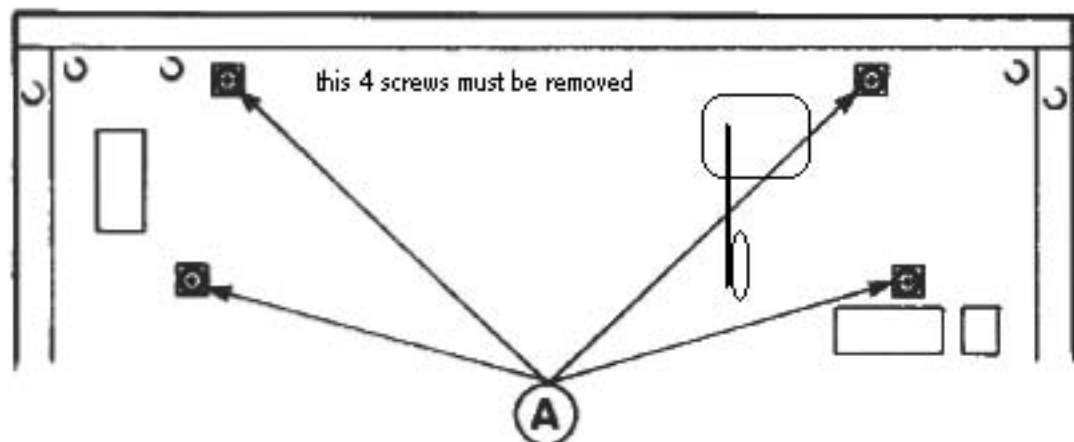
In some mother/main boards, only a 28 pins socket are mounted, then you have to use fig. 2 for to get +5v to pin 30, 31, 32.

If a 32 pin socket are mounted use fig1. If no socket are mounted and the ic are soldered direct in, you have to unmount motherboard and unsolder ic7, put a good socket in and solder the socket. its a little more complex to do, but if you number the connectors with a felt pen and take care not to shortcut any parts on the print





nb: be shure not to forget any screws somewhere



Front

BAR/BEAT

121

WELCOME TO HS-8  
YAMAHA VER. 2.00

LEAD

UPPER  
ENSEMBLE

CHORD

ORCIST

SWA

SWA





















